

SOLAR STORAGE SYSTEM



STORAGE-IM- STORAGE SYSTEM

SISS 350/100

SISS 500/150

SISS 750/150

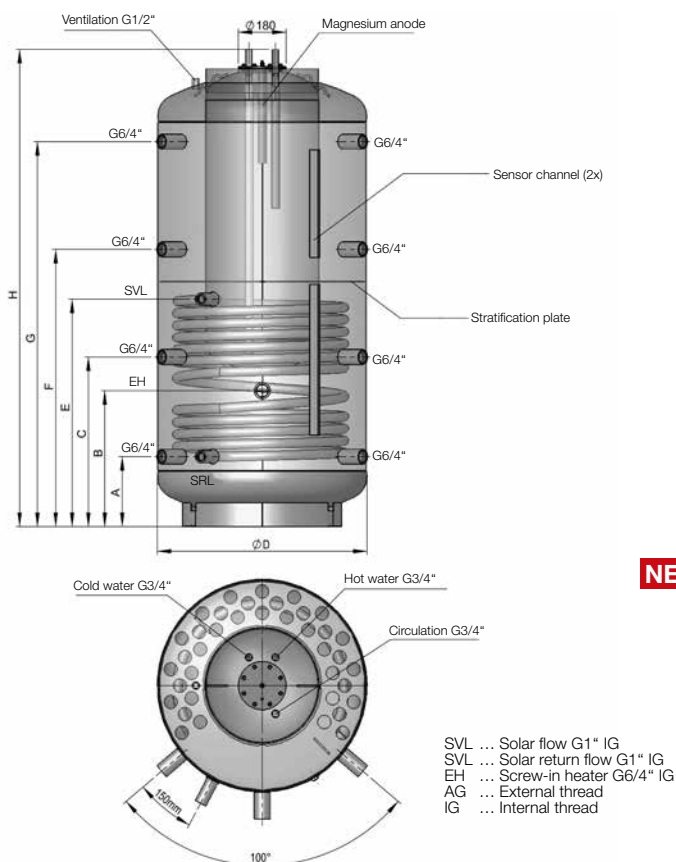
SISS 900/200

SISS 1500/250



AE
Austria Email

STORAGE-IM-STORAGE-SYSTEM SISS



The SISS upright solar storage system is a combination between a buffer storage heater and a domestic water storage tank

- There is a DIN 4753 compliant enamelled domestic water storage tank with a capacity of 100, 150, 200 or 250 litres welded into the 350, 500, 750, 900 or 1500 litre capacity black painted heating buffer storage tank
- Can be cascaded with buffer boiler
- A large surface area high performance smooth pipe register (welded directly into the buffer storage tank) guarantees optimum hot water transferral
- Variable sensor positions possible through two double sensors attached to the outer casing of the buffer storage tank
- Various hot water sources can easily be attached (boiler, collector, heat pump, tiled stoves)
- 100 mm ECO SKIN 2.0 – Insulation with PS outer casing in silver grey
- Installation of a reconnectable 2.5/5/7.5 kW flange installation heater into the domestic water storage tank possible (except SISS 350/100)
- In addition a screw-in heating element can be installed in 1½\" sleeve as auxiliary or secondary heating system (except SISS 1500)
- Drainage via cold water pipe
- Operating pressure: domestic water storage tank, 10 bar, heating buffer storage tank 3 bar, pipe register 10 bar
- Operating temperatures: Domestic water storage tank and heating buffer storage tank max. 95°C, heat exchanger max 110°C
- Connection options to the SISS for various heat exchangers such as for example radiators, underfloor heating
- Accessories: Installation heater RD – SISS 7.5 (except SISS 350)
Stray current anode FSA – SISS
Installation heater SH (except SISS 1500)

NEW!

ECO DESIGN - LABELING

Type	Content l	Heat loss in EN 12897		Zapf Profile	Energy Efficiency Class
		in kWh/24h	in Watt		
SISS 350/100	350	1,81	75,4	XXL	C
SISS 500/150	500	2,20	91,7	3XL	C
SISS 750/150	750	2,66	110,8	3XL	-
SISS 900/200	900	2,97	123,8	4XL	-
SISS 1500/250	1500	3,84	160,0	4XL	-

TECHNICAL DETAILS

Type	Dimensions in mm									Tilted dimension in mm	Register heating surface in m ²	Register capacity in l	Weight in kg	N _L -number to DIN 4708	max. Performance "SH" kW	
	D	D with insulation	H	H with insulation	A	B	C	E	F							G
SISS 350/100	650	850	1378	1390	220	420	-	715	760	1090	1442	1.55	9.8	122	1.4	6.0
SISS 500/150	650	850	1706	1735	220	420	620	805	1010	1390	1770	1.90	12.3	166	4	6.0
SISS 750/150	790	990	1773	1800	260	505	630	845	1030	1430	1840	2.40	15.6	200	4	9.0
SISS 900/200	790	990	2123	2150	310	555	745	1030	1250	1710	2180	3	19.3	234	6.5	9.0
SISS 1500/250	1000	1200	2225	2255	380	-	825	1175	1350	1760	2290	3.6	23.5	312	9	-

Head office and factory: Austria Email AG
A-8720 Knittelfeld, Austriastrasse 6
Phone (03512) 700-0, Fax (03512) 700-239
Internet: www.austria-email.at
E-mail: office@austria-email.at

Customer Service: Phone (03512) 700-297
E-mail: kundendienst@austria-email.at

Sales offices Germany:

Germany North/East
D-14770 Brandenburg, Beetzseeufer 3
Phone 0049/(0)3381 / 766-0
Fax 0049/(0)3381 / 766-244
E-mail: sgobi@austria-email.at

Germany South
D-92637 Weiden/Opf., Parksteiner Strasse 49
Phone 0049/(0)961 / 63 490-0
Fax 0049/(0)961 / 63 490-30
E-mail: ahirmer@austria-email.at

AE
Austria Email